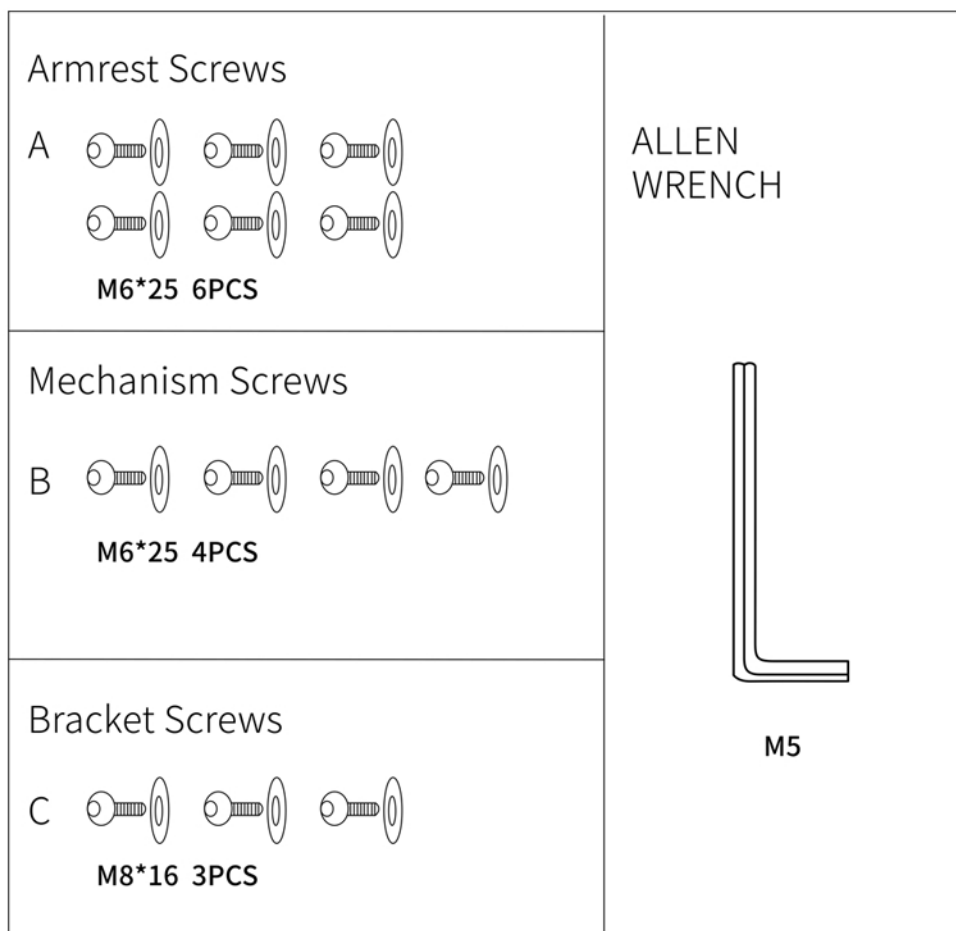
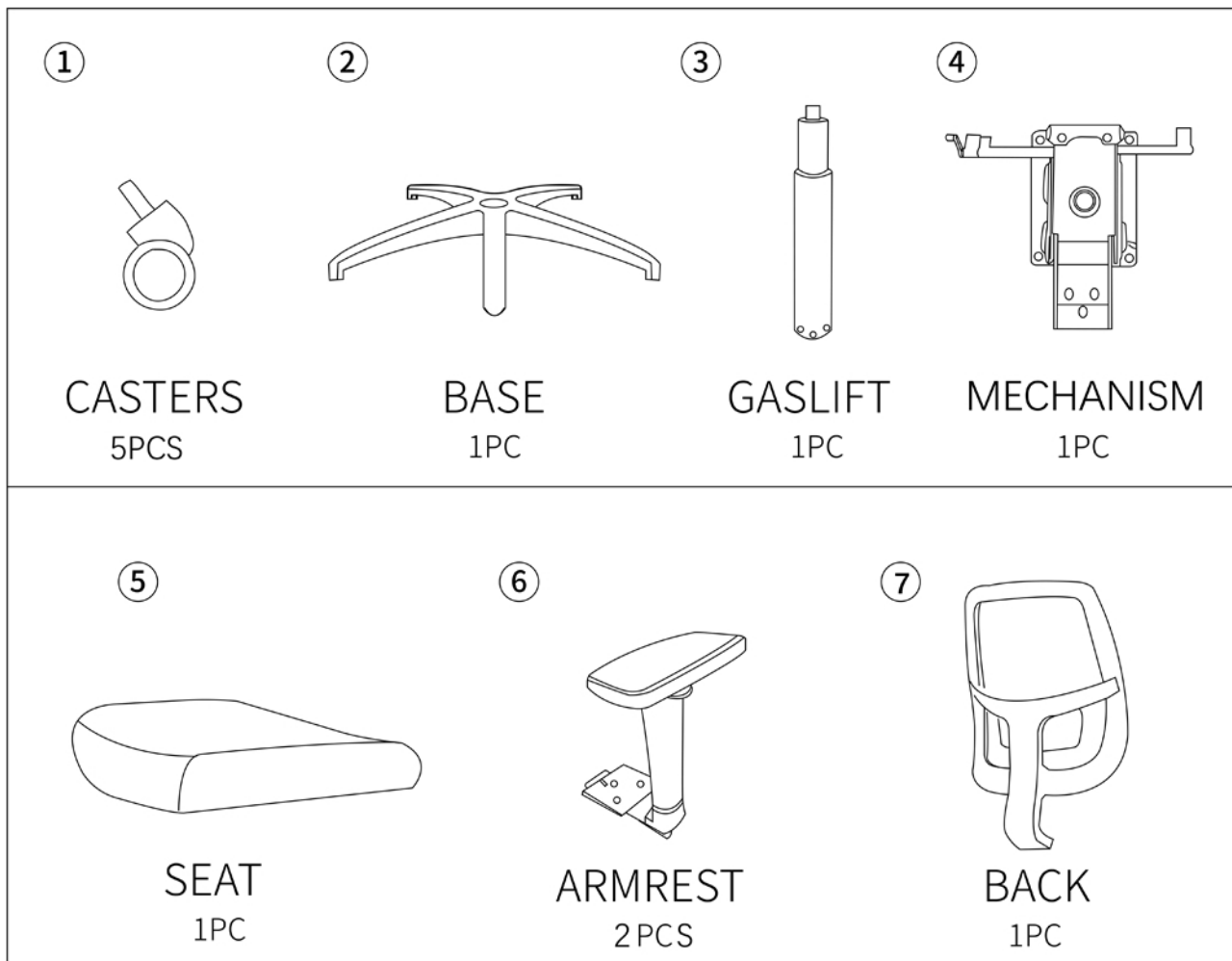
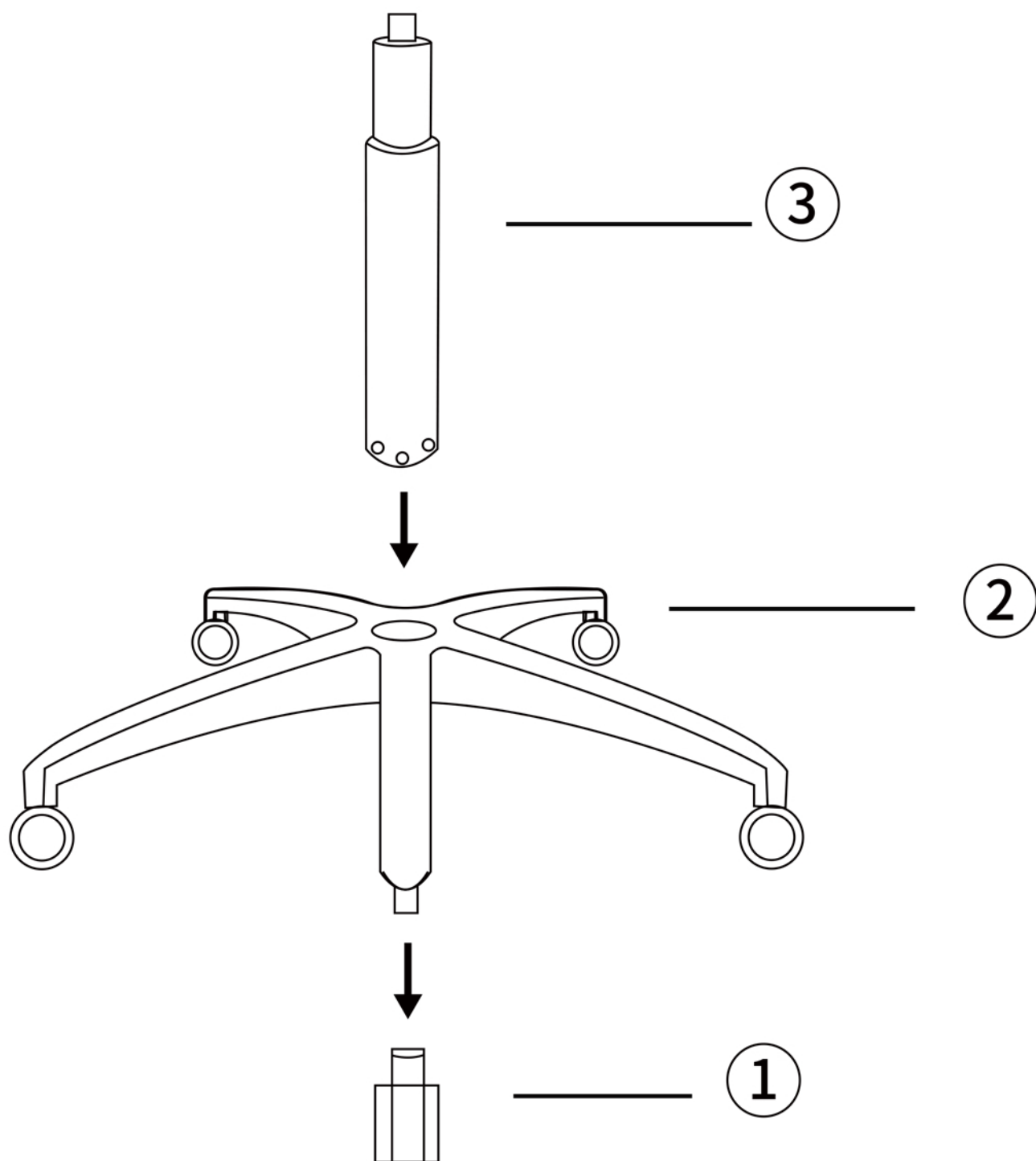


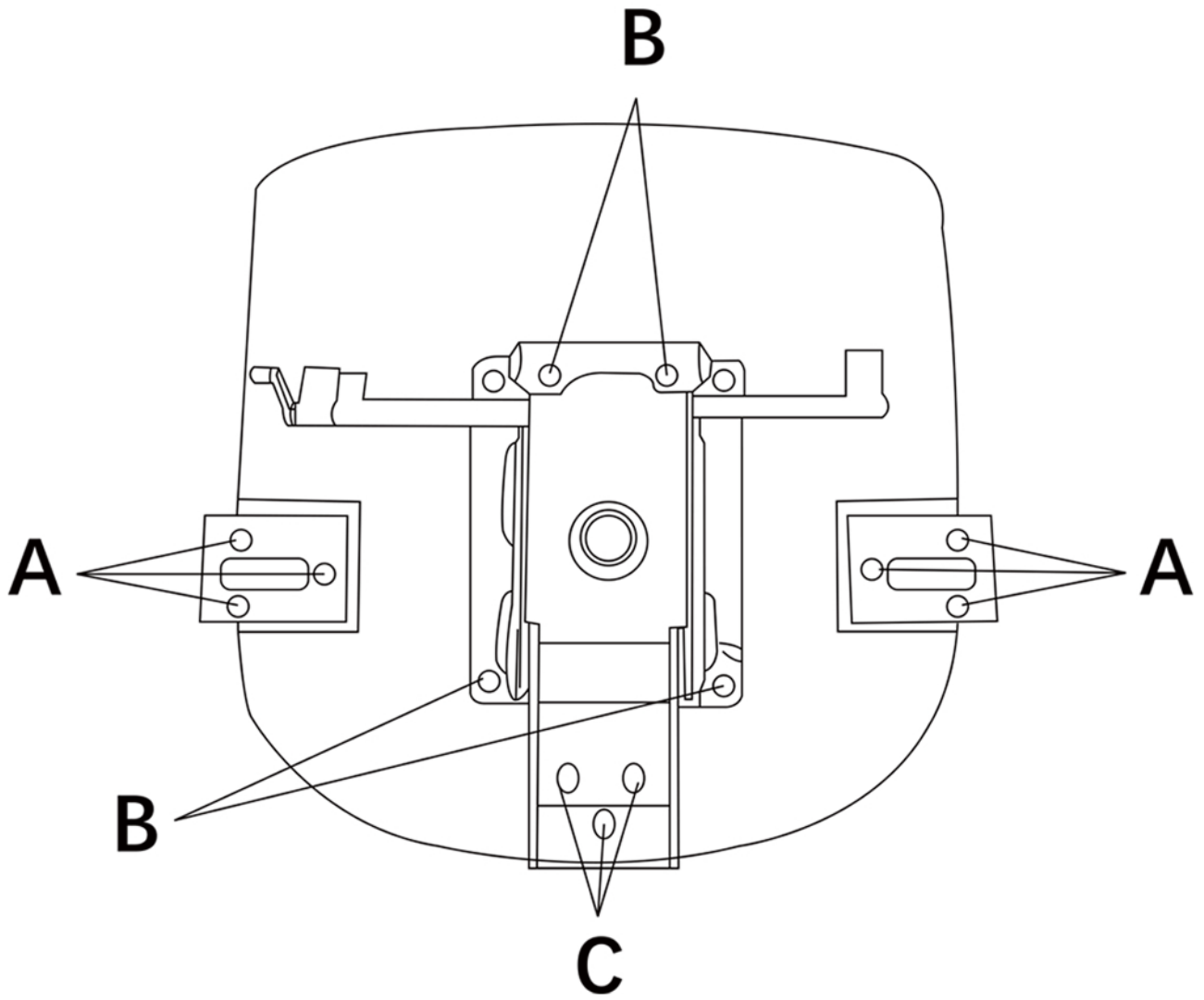
# Manual



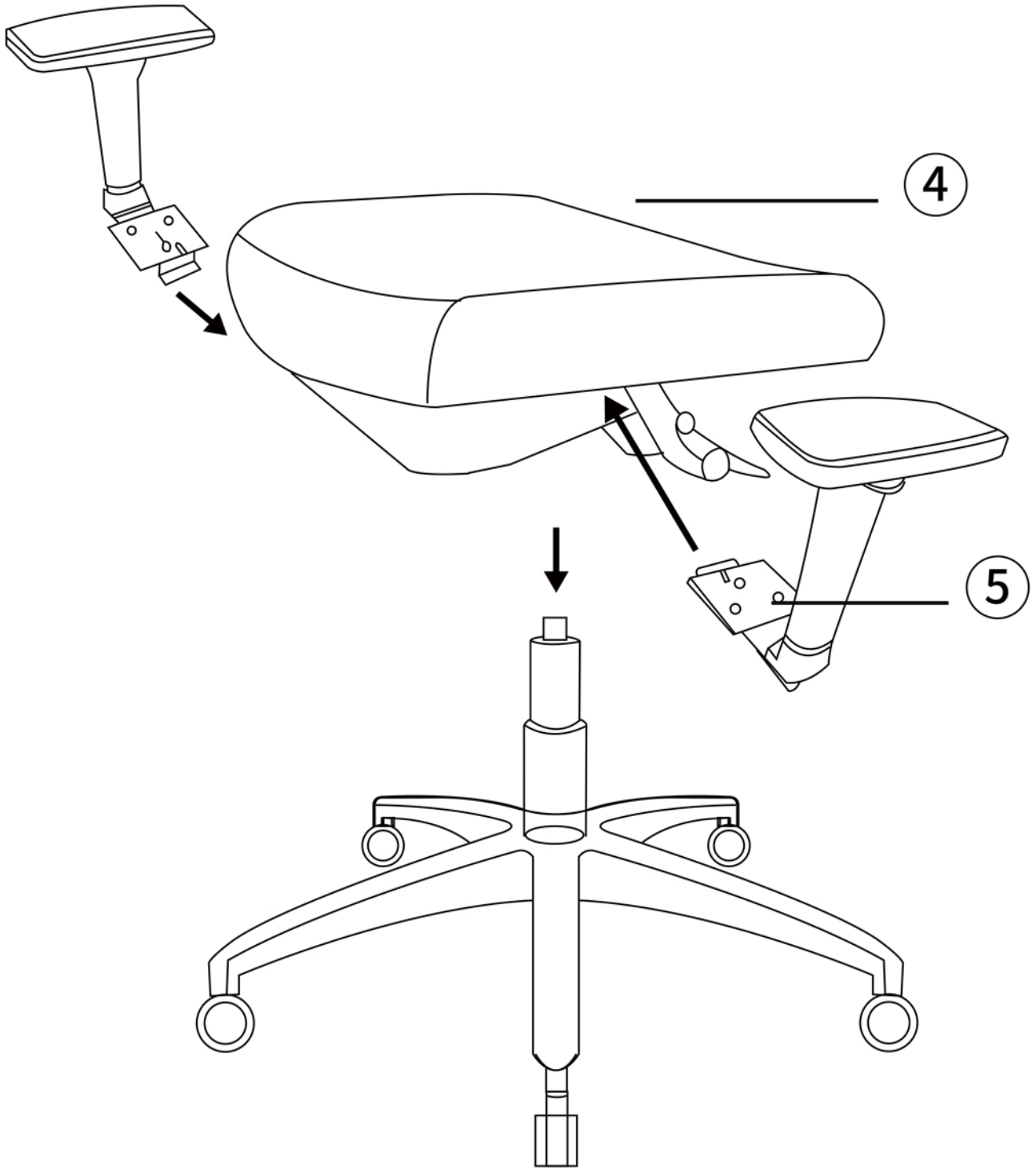


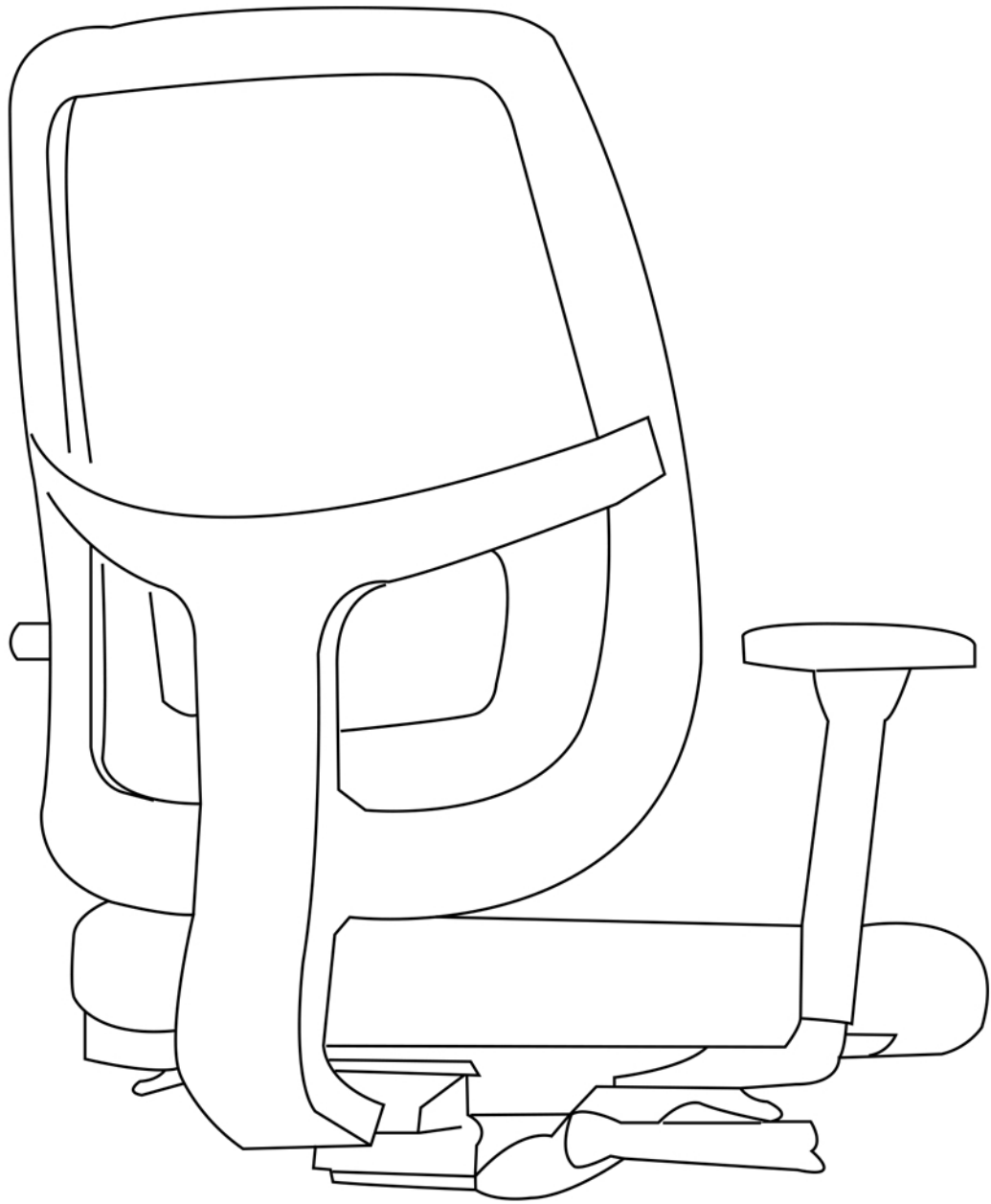
# Step 1





# Step 3





**C**

